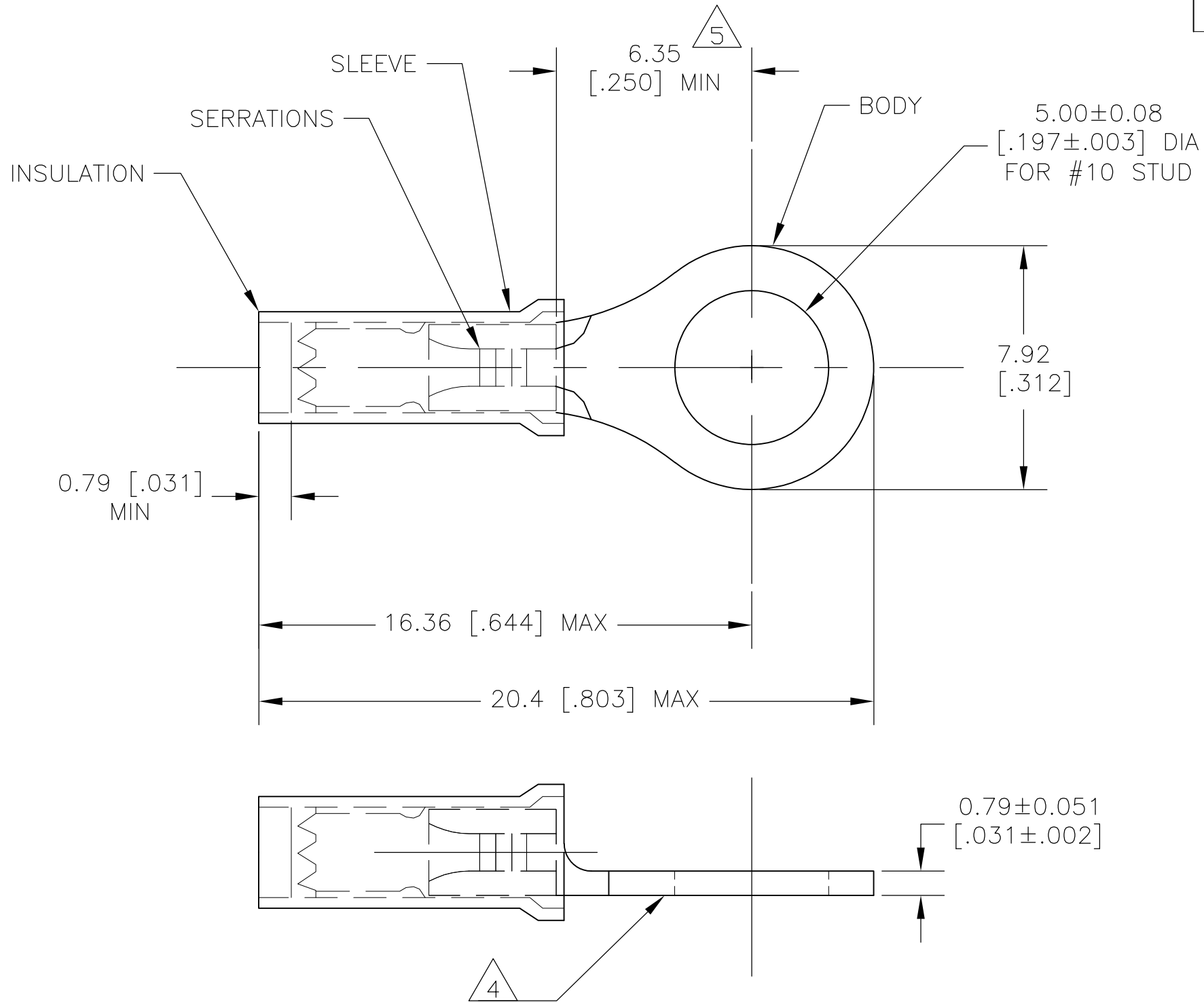


THIS DRAWING IS UNPUBLISHED. RELEASED FOR PUBLICATION  
 © COPYRIGHT BY TYCO ELECTRONICS CORPORATION. ALL RIGHTS RESERVED.

LOC	DIST	REVISIONS					
G	86	P	LTR	DESCRIPTION	DATE	DWN	APVD
			F1	REVISED PER ECR 07-018343	06AUG07	JR	TM



- 1 BODY - COPPER PER ASTM B152 ANNEALED  
SLEEVE - COPPER PER ASTM B152  
INSULATION - NYLON
- 2 BODY & SLEEVE - TIN PLATED  
INSULATION - COLOR - PURPLE
- 3 FOR 1.14-2.03 [.045-.080] DIA WIRE INSULATION
- 4 STAMP AMP 20, APPROX WHERE SHOWN.
- 5 APPLIES FROM EDGE OF METAL WIRE BARREL TO CENTERLINE OF STUD HOLE.
- 6 0.41-0.65mm<sup>2</sup> [810-1,290] CMA SOLID OR STRANDED

1000	LOOSE PIECE	152891
QTY	PACKAGING TYPE	PART NO.

THIS DRAWING IS A CONTROLLED DOCUMENT.		DWN jr_ruth 06AUG07	Tyco Electronics Corporation Harrisburg, PA 17105-3608	
DIMENSIONS: MM [ INCHES ]		CHK T MICHELUTTI 30AUG07	NAME RING TONGUE, PIDG	
TOLERANCES UNLESS OTHERWISE SPECIFIED:		APVD T MICHELUTTI 30AUG07	PRODUCT SPEC -	
0 PLC ± -		APPLICATION SPEC -		
1 PLC ± -		SIZE A3		
2 PLC ± -		CAGE CODE 00779		
3 PLC ± 0.38 [.015]		DRAWING NO C-152891		
4 PLC ± -		RESTRICTED TO -		
ANGLES ± 5°		SCALE 6:1		
MATERIAL - 1		SHEET 1 OF 1		
FINISH - 2		REV F1		
CUSTOMER DRAWING				